

SURFACE MOUNT SMALL SIGNAL TRANSISTORS

- * Epitaxial Die Construction
- * Ideally Suited Automatic Insertion
- * 310mW Power Dissipation
- * Complementary PNP types Available
- * For Switching and AF Amplifier Applications

ABSOLUTE MAXIMUM RATINGS at Ta=25

Characteristic	Symbol	Rating	Unit
Collector-Base Voltage	Vcbo	30	V
Collector-Emitter Voltage	Vceo	30	V
Emitter-Base Voltage	Vebo	5.0	V
Collector Current	Ic	100	mA
Collector Dissipation Ta=25 *	P _D	310	mW
Junction Temperature Range	Tj	-55-150	
Storage Temperature Range	Tstg	-55-150	

Package:SOT-23



PIN:	1	2	3
STYLE			
NO.1	B	E	C

ELECTRICAL CHARACTERISTICS at Ta=25

Characteristic	Symbol	Min	Typ	Max	Unit	Test Conditions
Collector-Base Breakdown Voltage	BVcbo	30			V	Ic=10uA Ie=0
Collector-Emitter Breakdown Voltage	BVceo	30			V	Ic= 10mA Ib=0
Collector-Emitter Saturation Voltage	Vce(sat)		90 200	250 600	mV	Ic=10mA Ib=0.5mA Ic=100mA Ib=5.0mA
Base-Emitter Saturation Voltage	Vbe(sat)		700 900		mV	Ic=10mA Ib=0.5mA Ic=100mA Ib=5.0mA
Base-Emitter Voltage	Vbe	580	660	770 720	mV	Vce=5.0V Ic=2.0mA Vce=5.0V Ic=10mA



SEMICONDUCTOR
TECHNICAL DATA

BC849C
NPN EPITAXIAL SILICON TRANSISTOR

SURFACE MOUNT SMALL SIGNAL TRANSISTORS

ELECTRICAL CHARACTERISTICS at Ta=25 (CONTINUED)

Characteristic	Symbol	Min	Typ	Max	Unit	Test Conditions
Current Gain Group	H _{FE}	450		700		V _{ce} =5.0V I _c =2.0mA
Collector-Emitter Cutoff Current	I _{CES}		0.2	15	nA	V _{ce} =50V
	I _{CBO}			15	nA	V _{cb} =30V
Collector-Base Capacitance	C _{cbo}		3.5	6.0	PF	V _{cb} =10V f=1MHz
Emitter-Base Capacitance	C _{ebo}		9.0		PF	V _{eb} =0.5V f=1MHz
Gain Bandwidth Product	f _T		300		MHz	V _{ce} =5V I _c =10mA f=100MHz
Noise Figure	NF		2.0	10	dB	V _{ce} =5V I _c =200uA R _G =2K f=1MHz f=200Hz

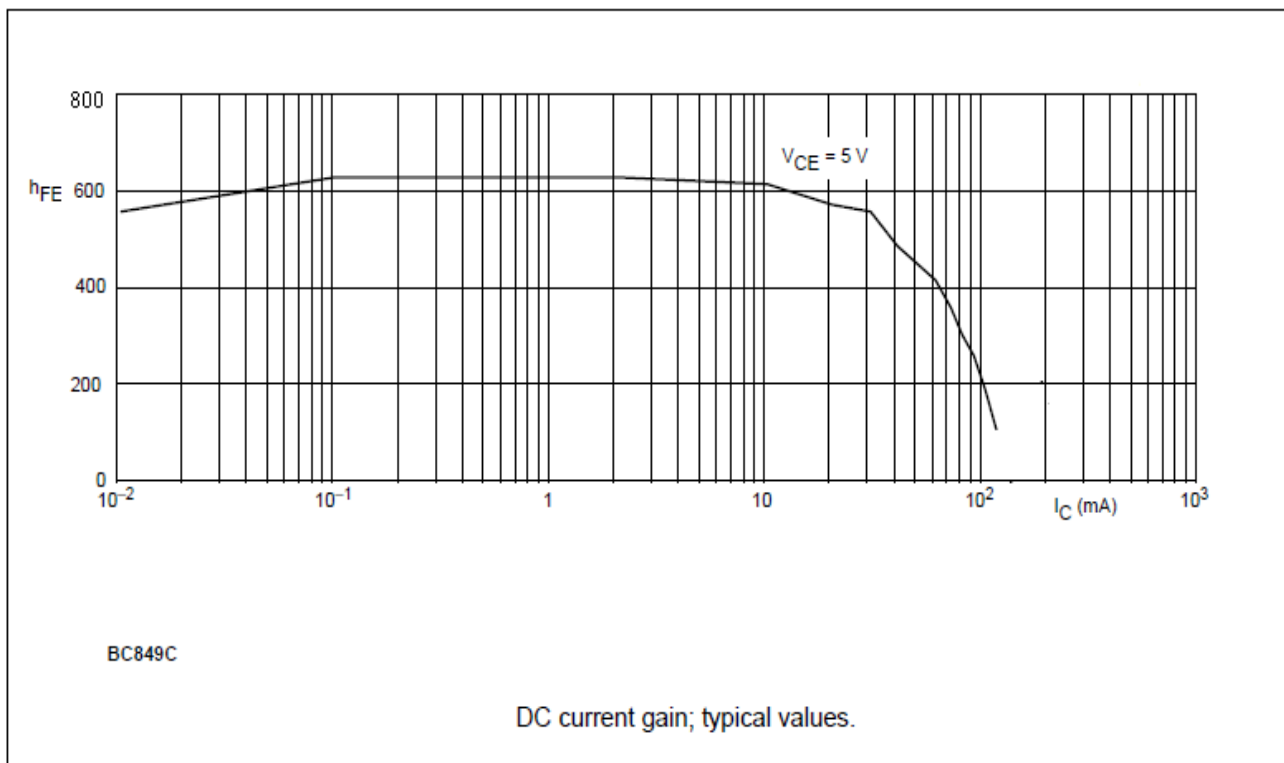
* Total Device Dissipation : FR=1x0.75x0.062in Board,Derate 25 .

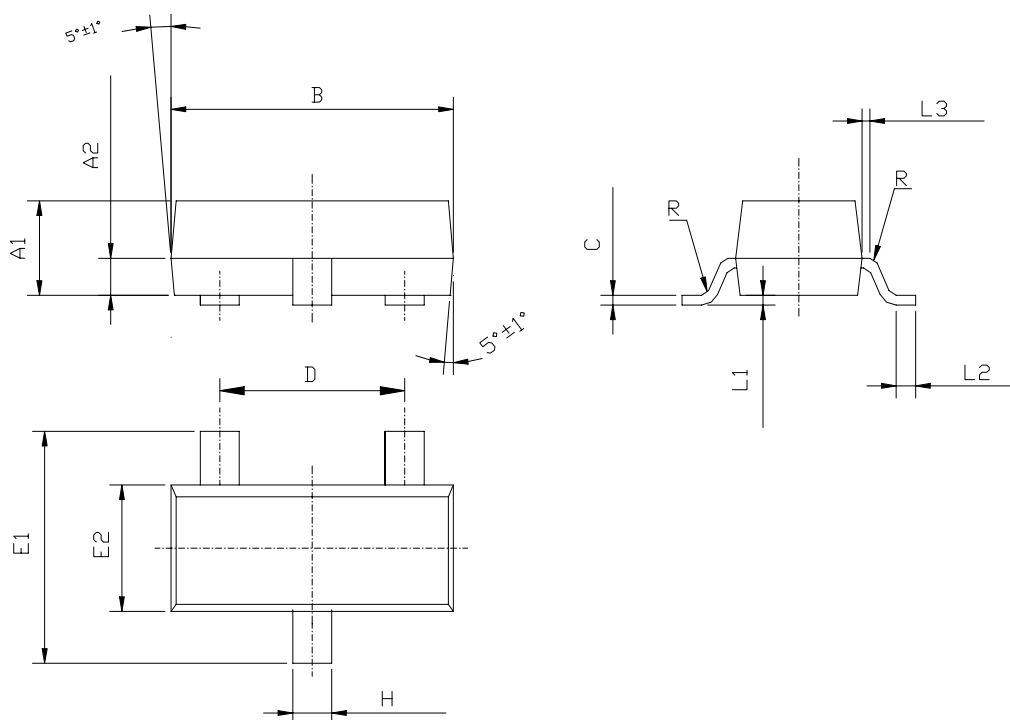
Pulse Test : Pulse Width 300uS,Duty cycle 2%

DEVICE MARKING:

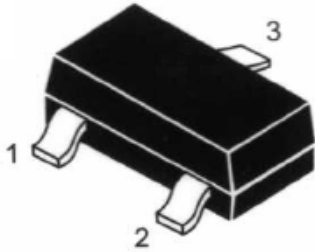
BC849C=2C



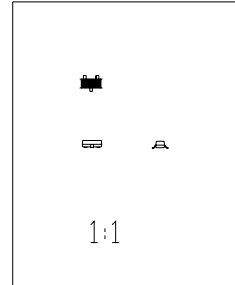




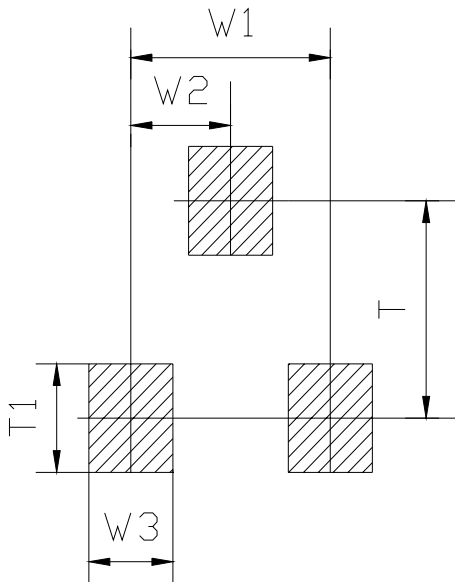
Symbol	Dimensions in Millimeters			内部结构 STYLS	管脚 PIN		
	Min	Nominal	Max		1 脚	2 脚	3 脚
A1	0.900	0.970	1.000	6	基极 BASE	发射极 EMITTER	集电极 COLLECTOR
A2	0.350	0.380	0.410		8	阳极 ANODE	不连接 NO- CONNECTION
B	2.800	2.900	3.000	9		阳极 ANODE	阳极 ANODE
C	0.085	0.100	0.150		11	阳极 ANODE	阴极 CATHODE
D	1.800	1.900	2.000	12		阴极 CATHODE	阴极 CATHODE
E1	2.200	2.400	2.600		18	不连接 NO- CONNECTION	阴极 CATHODE
E2	1.200	1.300	1.400	19		阴极 CATHODE	阳极 ANODE
H	0.300	0.400	0.500				
L1	0.000		0.100				
L2	0.200						
L3	0.030	0.080	0.130				
R	0.080TYP						



OUTSIDE



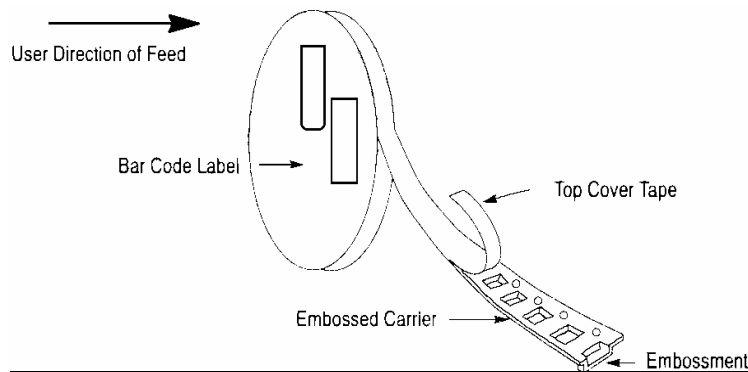
Scale 1:1 on letter size paper



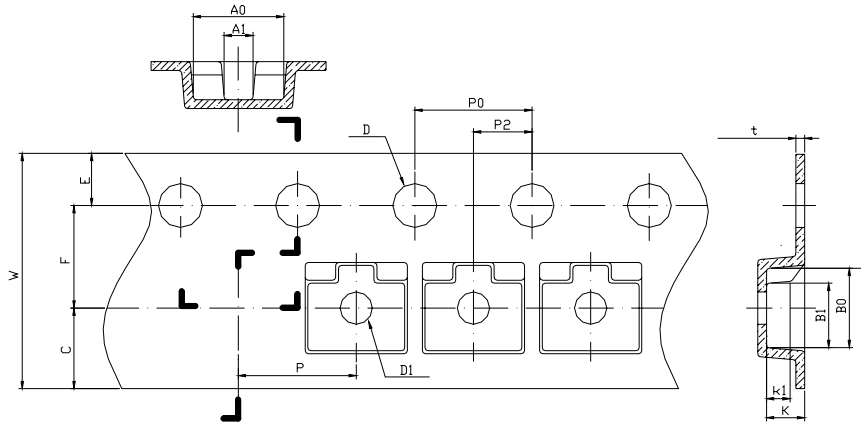
FOOTPRINTS FOR SOLDERING

Symbol	Dimensions in Millimeters	Dimensions in Inches
	Nominal	Nominal
W1	1.900	0.0748
W2	0.950	0.0374
W3	0.800	0.0315
T	2.000	0.0787
T1	1.000	0.0394

SOT-23 PACKAGING:

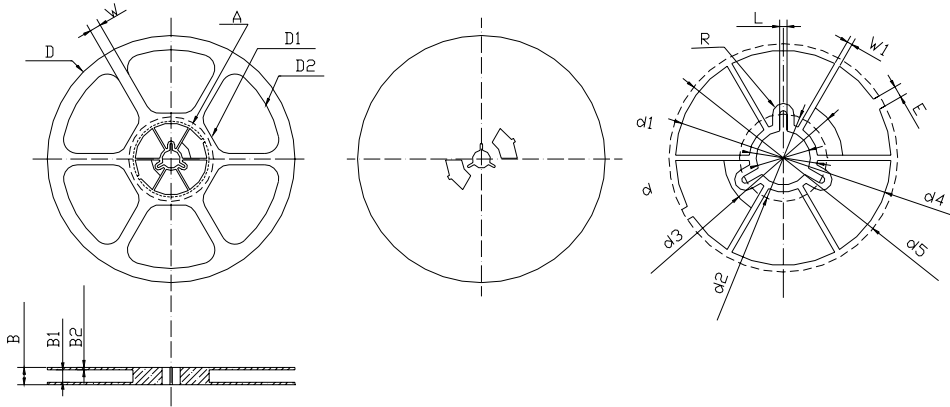


SOT-23 EMBOSSED CARRIER TAPE:



Symbol	Dimensions in Millimeters			Dimensions in Inches		
	Minimum	Nominal	Maximum	Minimum	Nominal	Maximum
A0	3.050	3.150	3.250	0.1201	0.1240	0.1280
A1	0.900	1.000	1.100	0.0354	0.0394	0.0433
B0	2.669	2.769	2.869	0.1051	0.1090	0.1130
B1	2.100	2.200	2.300	0.0827	0.0866	0.0906
C	2.750TYP			0.1083TYP		
D	1.500	1.500	1.600	0.0591	0.0591	0.0630
D1	0.900	1.000	1.100	0.0354	0.0394	0.0433
E	1.650	1.750	1.850	0.0650	0.0689	0.0728
F	3.450	3.500	3.550	0.1358	0.1378	0.1398
K	1.119	1.219	1.319	0.0441	0.0480	0.0519
K1	0.850TYP			0.03346TYP		
P	3.900	4.000	4.100	0.1535	0.1575	0.1614
P0	3.900	4.000	4.100	0.1535	0.1575	0.1614
P010	39.800	40.000	40.200	1.5669	1.5748	1.5827
P2	1.950	2.000	2.050	0.0768	0.0787	0.0807
t	0.216	0.229	0.242	0.0085	0.0090	0.0095
W	7.900	8.000	8.300	0.3110	0.3150	0.3268

SOT-23 REEL DATA:



Symbol	Dimensions in Millimeters			Dimensions in Inches		
	Minimum	Nominal	Maximum	Minimum	Nominal	Maximum
B	-	-	12.500	-	-	0.4921
B1	8.900	9.000	9.100	0.3504	0.3543	0.3583
B2	1.700	1.750	1.800	0.0669	0.0689	0.0709
D	ϕ 177.000	ϕ 178.000	ϕ 179.000	Φ 6.9685	Φ 7.0079	Φ 7.0472
D1	Φ 67.600TYP			Φ 2.6614TYP		
D2	Φ 157.600TYP			Φ 6.2047 TYP		
d	Φ 12.800	Φ 13.000	Φ 13.200	Φ 0.5039	Φ 0.5118	Φ 0.5197
d1	Φ 16.40 TYP			Φ 0.6457 TYP		
d2	Φ 21.000 TYP			Φ 0.8268 TYP		
d3	Φ 25.200 TYP			Φ 0.99221TYP		
d4	Φ 50.600	Φ 51.600	Φ 52.600	Φ 1.9921	Φ 2.0315	Φ 2.0709
d5	Φ 53.800	Φ 54.800	Φ 55.800	Φ 2.1181	Φ 2.1575	Φ 2.1969
E	2.800 TYP			0.1102TYP		
L	1.750 TYP			0.0689 TYP		
R	2.575 TYP			0.1014 TYP		
W	15.000 TYP			0.5906 TYP		
W1	1.300 TYP			0.0512 TYP		